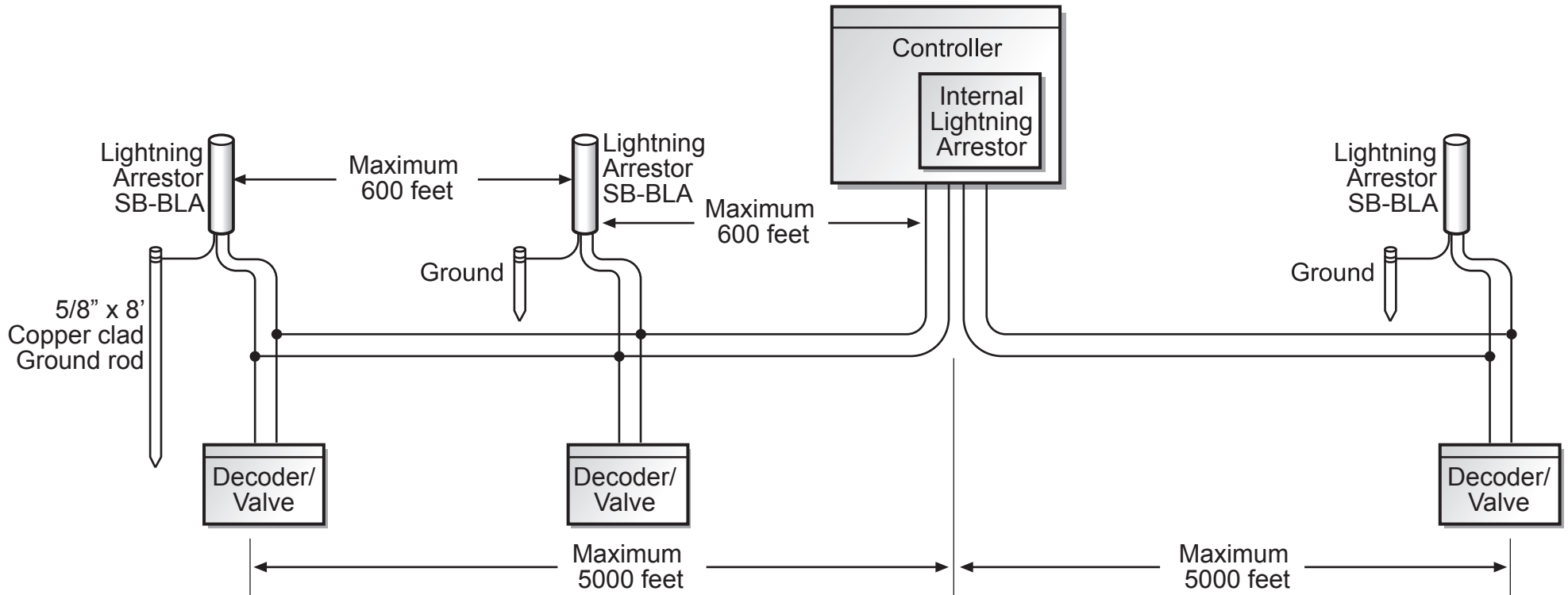




Count on it.

Sentinel® AC Two-Wire Straight Line Configuration



Straight Line Configuration	
Wire Gauge	Total Wire Length (feet)
14	5,000
Maximum 600 feet between lightning arrestors	

Decoder Options
SB-DAC-1 Single Valve Decoder
SB-DAC-2 Dual Valve Decoder
SB-DAC-4 Four Valve Decoder